



The best way to exhibit



UNLIMITED SOLUTIONS

Italy

March 17, 2010

Expo Real 2010

October 4 - 6

THE REAL ITALY

THE REAL ITALY

THE REAL ITALY

THE REAL ITALY

THE REAL ITALY

THE REAL ITALY

THE REAL ITALY

THE REAL ITALY

THE REAL ITALY

THE REAL ITALY

THE REAL ITALY



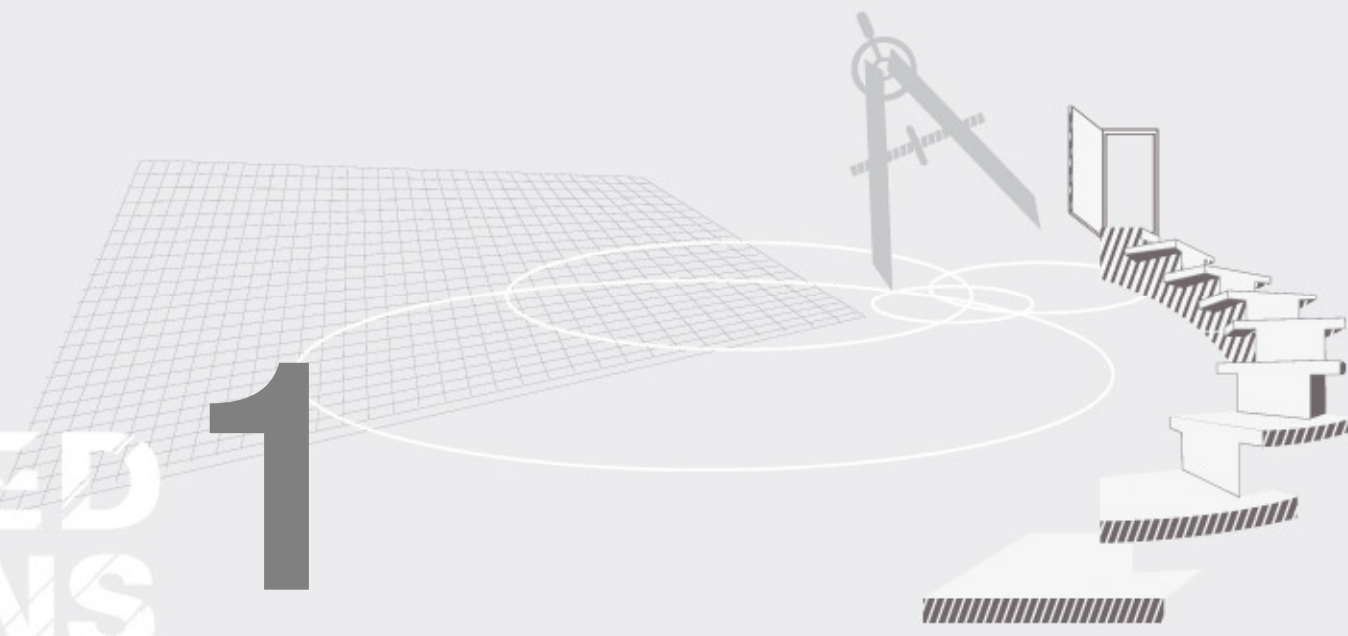
The real Italy

expo
real



UNLIMITED
SOLUTIONS

1





The real Italy // Right side





The real Italy // Front



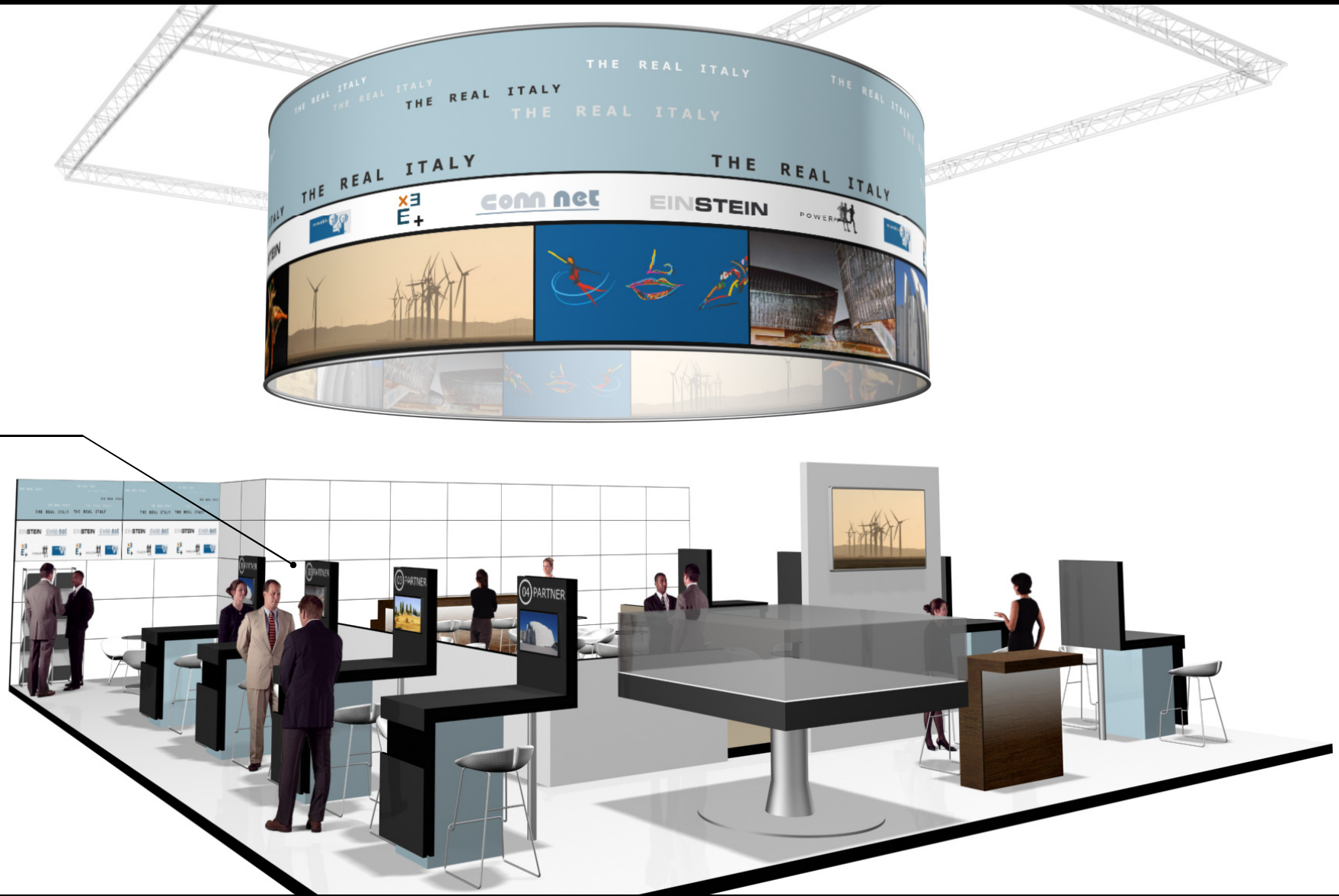
Plasma

Info

3.0m



The real Italy // Left side



Partner // Graphic



The real Italy // Left side detail



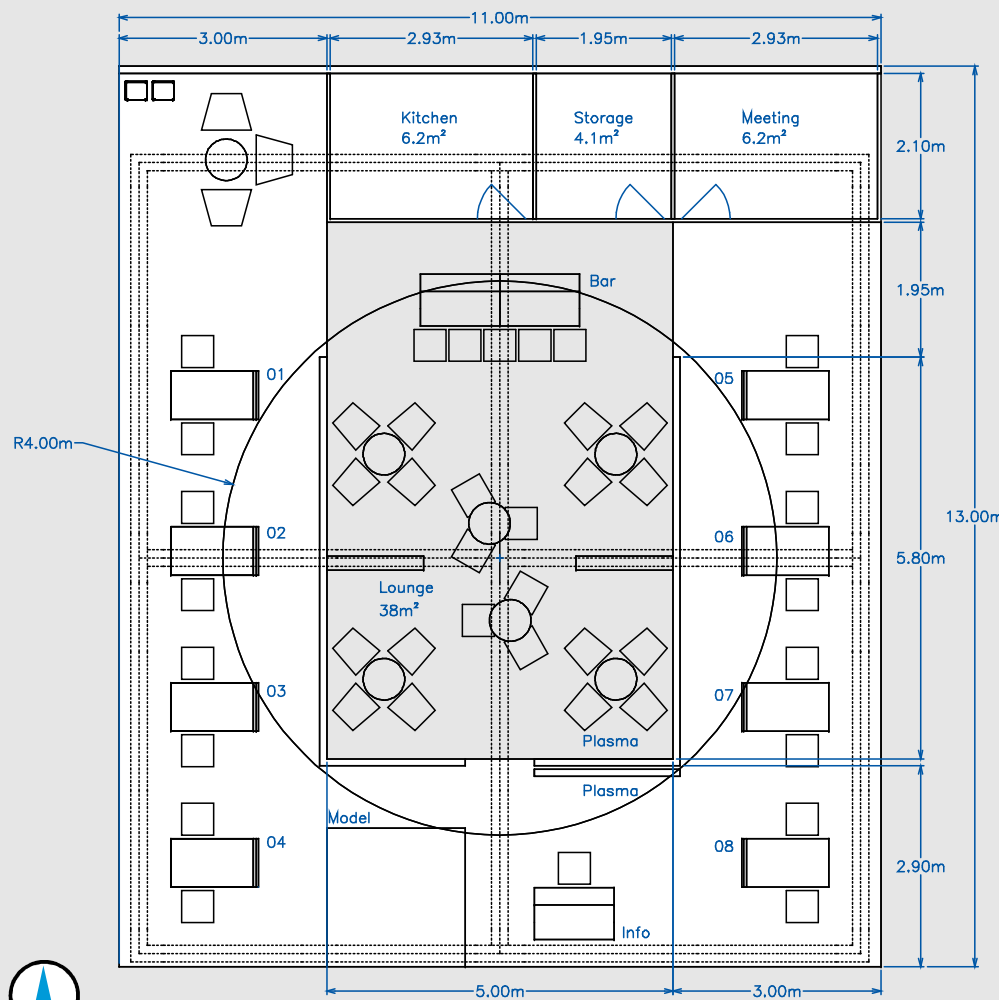
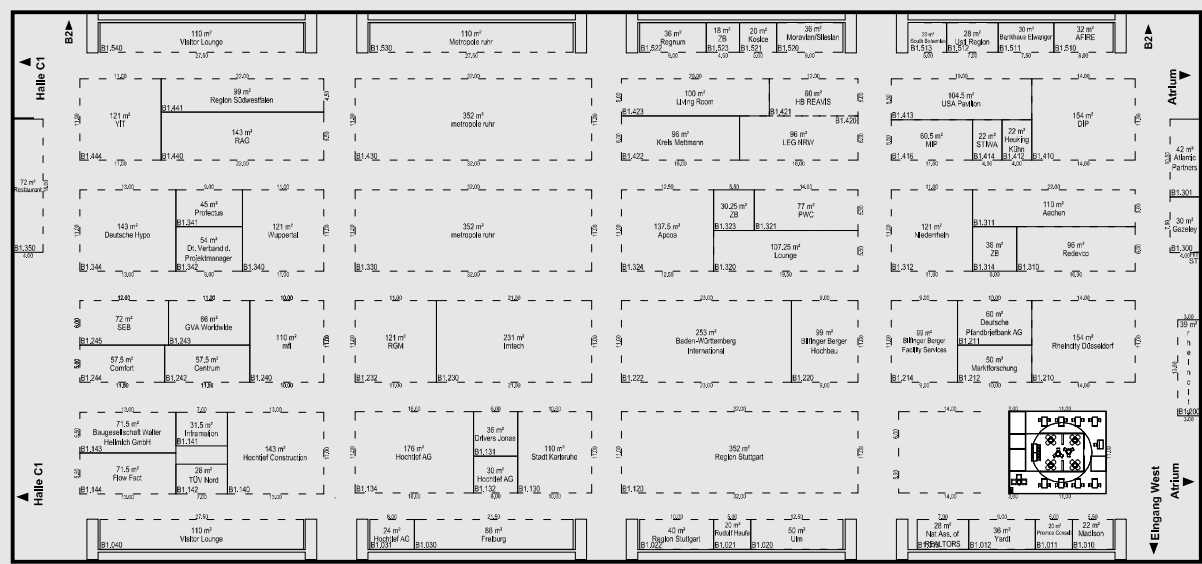
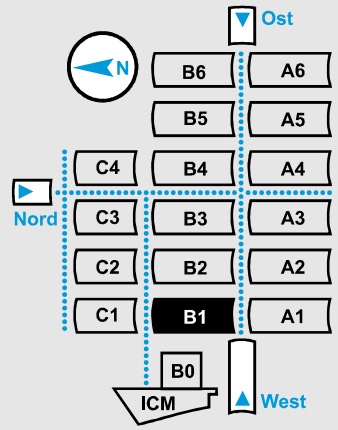


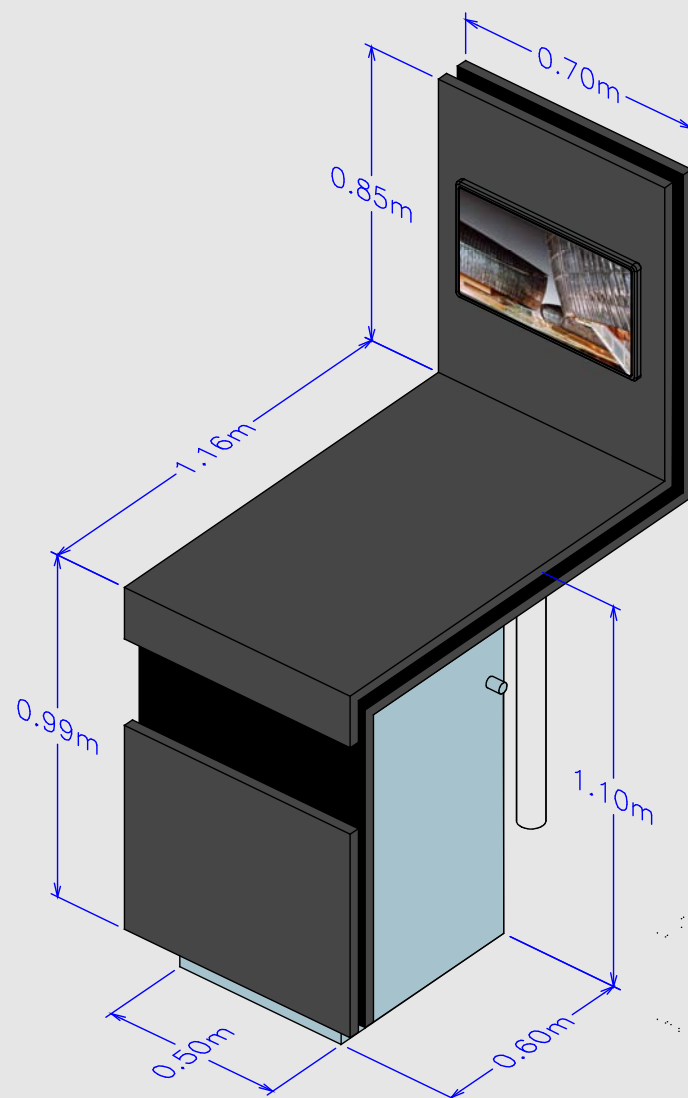
The real Italy // Lounge





The real Italy // Floorplan







Quote di partecipazione

Full service

(postazione individuale, servizi tecnici, internet, catering, uso ufficio, 2 tessere espositori, catalogo ufficiale, assistenza)

Euro 18.000 + IVA

Logo & Catalogue

Logo aziendale, 1 espositore prospetti (A4), 1 tessera espositori, catalogo ufficiale, catering

Euro 5.000,00 + IVA

CONTATTI

Davide Galli - davide.galli@monacofiere.com
Cecilia Montalbetti - cecilia.montalbetti@monacofiere.com

Tel. +39 02 36 53 78 54
Fax +39 02 36 53 78 59

www.monacofiere.com

Copyright: Any draft documents, plans, drawings, production and assembly documents as well as the design and concept description all remain our intellectual property. The customer is not entitled without our consent to copy the documents generated as a result, use them for his or her own purposes or pass them on to third parties. Nor is he or she entitled to build structures subsequently on the basis of them in the absence of any agreement to the contrary.